

The image shows a black tractor-like machine with three large, treaded tires. It is equipped with a scissor lift that is extended upwards, holding two large, rectangular solar panels. The machine is parked on a grassy area with a chain-link fence and trees in the background. The text 'SolarCleano' is at the top, 'developed by cleaners' is below it, and 'Technical Data Sheet SolarCleano T1' is in large white letters across the middle. At the bottom right, there is contact information including the date 'September 2025', an address 'ZARO 2-4 rue Gustave Loosé, L-8346 Grass - Luxembourg', and a phone number and email address.

SolarCleano

developed by cleaners

# Technical Data Sheet SolarCleano T1

T1

September 2025

ZARO 2-4 rue Gustave Loosé,

L-8346 Grass - Luxembourg

T: +352 288 069 - [info@solarcleano.com](mailto:info@solarcleano.com)

# Description

The SolarCleans T1 is an essential utility for the efficient transportation and precise positioning of SolarCleans robots at solar panel installations.

This robust “Transporter” has been meticulously designed to enhance operational efficiency and is manageable by a single operator, ensuring ease of use and increased productivity.

The T1 offers multiple configurations to adapt to various operational needs: towing, carrying, and lifting configurations. It is also capable of towing a 1000L water tank when carrying or lifting our robots, offering unmatched flexibility on site.

- The SolarCleans T1 can operate on all types of ground.
- It is battery operated.

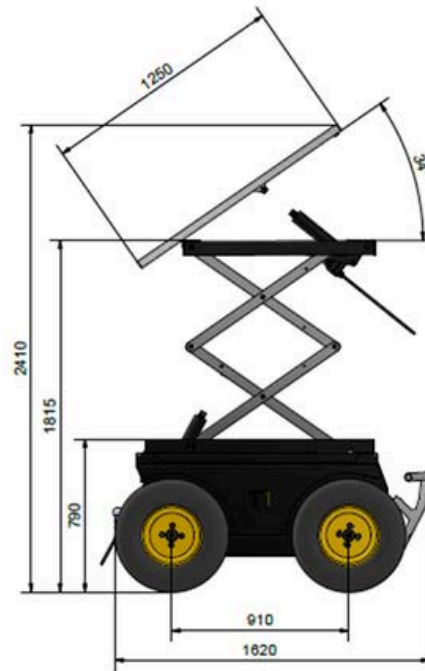
The SolarCleans T1 is compatible with the SolarCleans L1, F1, and M1 robots and is guaranteed for 12 months.



# Technical Features

## Dimensions

Chassis (folded)	1620 x 1332 x 790 mm
Deployed platform height	1815 mm
Deployed platform max. height (with 34° tilt)	2410 mm



## Weight

Total weight	400 kg
--------------	--------

## Configurations

Towing configuration	Yes
Carrying configuration	Yes
Lifting configuration	Yes
Towing possible when carrying or lifting	Yes

## Load capacity

Max. towed load capacity*	2000 kg
Max. carried load capacity	1000 kg
Max. lifted load capacity	140 kg

\*on flat terrain

## Movement system

Speed	Up to 8 km/h
Torque	865 Nm
Platform maximum tilt	34° (67.5%)
Tank turn	Yes
Neutral mode (Manual Freewheel)	Yes

## Battery

Type	Batt 48V 120Ah LFP
Autonomy	Up to 4h
Charger capacity	30A
Charging time	4h

## Remote control

Autonomy	22h
Max. distance	100 m
Protection rating (water)	IP65

## Condition of use

Protection rating (water)	IP65
Storage temperature	-20° to 40° C
Working temperature	-10° to 45° C





# SolarCleano

developed by cleaners

SolarCleano  
ZARO 2-4 rue Gustave Loosé,  
L-8346 Grass - Luxembourg  
T: +352 288 069 - [info@solarcleano.com](mailto:info@solarcleano.com)