

SolarCleano

developed by cleaners

Technical Data Sheet SolarCleano M1



April 2025

ZARO 2-4 rue Gustave Loosé,
L-8346 Grass - Luxembourg

T: +352 288 069 - info@solarcleano.com

Description

The SolarCleanso MI is a compact and efficient solution for cleaning solar panels and canopies. It has been developed so that a person can set it up and fully control it.

- The SolarCleanso MI can be dismantled into 3 parts, each part weighing less than 12kg. The assembly is designed to be simple with few intermediate steps.
- The robot operates on a battery and is controlled from the ground via remote control.

The SolarCleanso MI is effective on all types of solar panels or glass and is guaranteed for 12 months. The MI is designed for smaller solar installations and glass canopies.

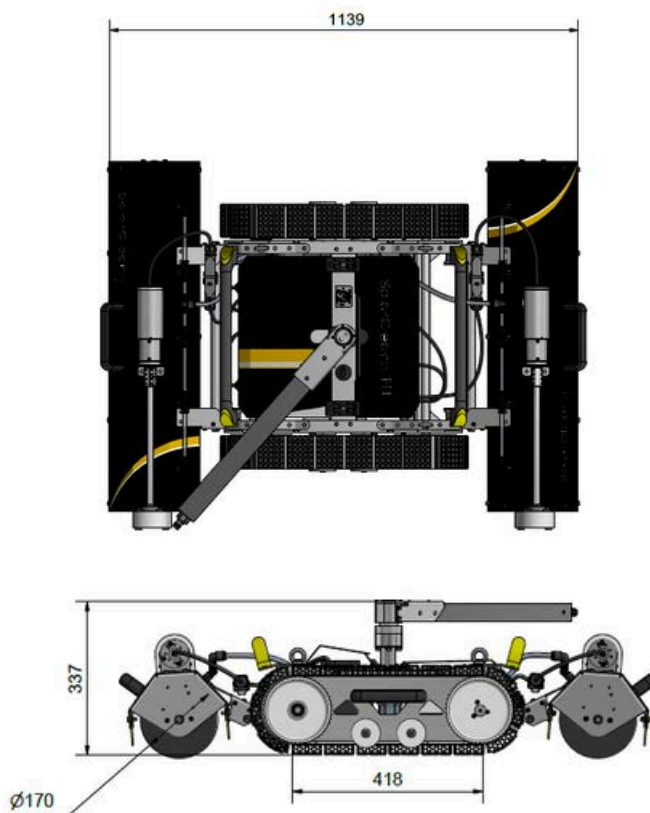
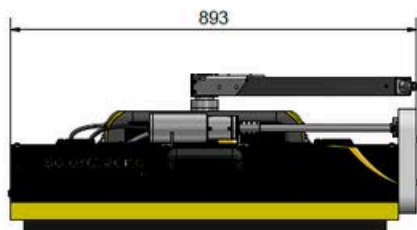
- The size of the brushes (0.80m) allows for thorough cleaning. To further improve the efficiency of the brushes, they are made up of 2 types of fibre and have a helicoidal shape, leaving no trace behind them.
- It can perform both wet and dry cleaning.



Dimensions & Brushes

Chassis Dimensions

1139 x 893 x 337 mm



Brushes

Brush length

0.8 m

Brush diameter

0.17 m

Brush rotation speed

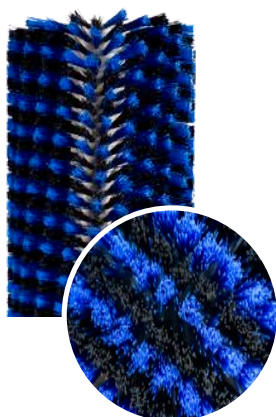
180 RPM

Motor

DC Brush

Types of Bristles

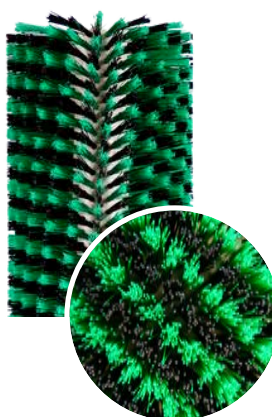
Soft



Standard



Hard



Very Hard



Other Technical Features

Weight

Without brushes	27 kg
With 1 brush	32 kg
With 2 brushes	37 kg

Movement system

Speed	Up to 30 m/min
Cleaning capacity	600 m ² /h
Climbing capacity	18° (32%)

Battery

Type	Batt Lithium Ion 24V – 20Ah
Autonomy	3h
Charger capacity	7A
Charging time	4h

Remote control

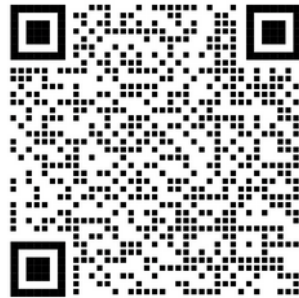
Frequency	2.4 GHz
Autonomy	24h
Max. distance	200 m
Protection rating (water)	IP65

Options

Water cleaning	Yes
GPS tracker	Yes

Water

Consumption	12 L/min on average
Pressure	Max. 5 bar
Hose Diameter	Min. 10 mm



SolarCleano

developed by cleaners

SolarCleano
ZARO 2-4 rue Gustave Loosé,
L-8346 Grass - Luxembourg
T: +352 288 069 - info@solarcleano.com